

HTPA16x16dR2L1.6/0.8F5.0

Datasheet for Thermopile Array Sensor with Lens Optic

DISCLAIMER

We reserve the right to correct or update the content, technical specifications or product descriptions at any time without prior notification.

All information is provided "as is", without any warranty, express or implied, including but not limited to warranties of merchantability or fitness for a particular purpose.

To ensure you are using the most up-to-date and accurate version, please always refer to the latest edition available on our official website.

Only the version published on the website shall be considered authoritative and current.

Content

Changelog	3
1 Cleaning and Handling of Sensors with Optical Elements.....	4
2 Principal Schematic for HTPA16x16d	6
3 Pin Assignment – Bottom View	6
4 Optical Orientation.....	7
5 Order Code Example.....	8
6 Application Note.....	9
7 Serial Order of Frame	10
8 Characteristics.....	11
8.1 Common Specifications	11
8.2 Optical Characteristics	11
9 Electric Specifications.....	12
10 I ² C Timings HTPA16x16d	13
11 I ² C Communication	14
11.1 Write Command	14
11.2 Read Command	14
11.3 Sensor Commands.....	14
11.4 EEPROM Commands	18
11.5 I ² C Example Sequences – EEPROM Wakeup / Standby.....	19
11.6 I ² C Example Sequences – EEPROM Block Erase / Block Write	19
11.7 I ² C Example Sequences – EEPROM Sequential Erase/Write	20
11.8 I ² C Example Sequence – EEPROM Continuous Erase	21
11.9 I ² C Example Sequence – EEPROM Continuous Write	21
11.10 I ² C Example Sequence – EEPROM Sequential Read.....	22
11.11 I ² C Example Sequence – EEPROM Continuous Read.....	22
11.12 I ² C Example Sequence – Init and Read Thermopile Array	23
12 Temperature Calculation.....	24
12.1 Ambient Temperature	25
12.2 Thermal Offset.....	26
12.3 Electrical Offset	26
12.4 VDD Compensation.....	27
12.5 Object Temperature	28
13 Example Calculation	29
13.1 Example Look-up Table.....	30
14 Order Code Chart.....	32
15 Outer Dimension.....	33

Changelog

2019-01-10	Added accuracy; erase of default values for TRIM registers
2019-02-28	Added handling advice
2019-03-20	Added allowed pixelmask
2019-09-30	Initial implementation of 16x16dR2L1.6 sensor
2019-11-22	Small corrections for L1.6 datasheet
2019-12-05	Small corrections for L1.6 datasheet
2020-05-11	Revised soldering recommendation to non-SMD
2020-09-05	Stack buffer recommendation; how to dK in °C
2021-01-30	Order code; change note implementation; correction VDD formula
2021-08-12	New order code
2021-12-14	Initial implementation of 16x16dR2L1.0 and L5.0 in Hi and UHi variant
2022-12-12	Updated drawing for 16x16R2L5.0UHiS
2023-02-08	EEPROM communication flow corrected
2023-02-13	Added radiometric radius for 16x16dR2L1.0
2024-12-18	Updated graphic for optical orientation
2025-01-31	Updated order code, added order code chart w/ available options
2025-03-17	Corrected Field of View for L1.6
2025-04-08	Corrected pin allocations
2025-08-18	Corrected graphic for pixel orientation
2025-10-16	Added max. measurable temperature
2025-11-18	Corrected accuracy specification
2025-03-02	Added calculation formula for CLK_Trim Register

1 Cleaning and Handling of Sensors with Optical Elements

Cleaning of Filter with Isopropyl Alcohol or Acetone

This is the method most universally used for cleaning optical elements with or without coatings. Filters or lenses mounted in our sensors may be cleaned rubbing the surfaces lightly with a clean, soft, all-cotton cloth or cotton swab during immersion in solvent or simply moistened with the solvent. The parts are then immediately wiped dry with another clean, soft, all-cotton cloth or cotton swab.

Cleaning with Detergent and Water

A very mild, non-abrasive detergent (one which does not contain additives) and water may also be used for cleaning optical elements. In general, a detergent and water mixture is an excellent method for removing fingerprints and other smudges. The liquid detergent is first mixed with deionized water (proportions recommended by the manufacturer should be followed). The element is then washed, rinsed and immediately wiped dry. Use a clean, soft cloth when cleaning and drying. If the part is allowed to dry in air, a permanent stain may result.

Please note:

- Do not use isopropyl alcohol or acetone or detergent if the elements will be mounted in an assembly with a finish which may be soluble by these solvents.
- Please avoid glass isolation being moistened by solvent.
- If the part is allowed to dry in air, a permanent stain may result.

Handling Advice

Sensors with optical elements deserve special consideration in their handling and care. Ordinarily, filters or lenses are cleaned and inspected prior to shipment. If proper care is exercised during handling cleaning should not be necessary prior to use.

- Wear gloves when handling a sensor or optical element. Lightweight nylon or cotton gloves, which are relatively lint-free are recommended.
- Avoid touching the surface of filters and lenses.
- Protect devices from static discharge and static fields.
- Thermopile sensors are electrostatic sensitive devices. Sensors should be handled over an electrostatic protected work area.
- Precautions should be taken to avoid reverse polarity of power supply for sensors with integrated signal processing. Reversed polarity of power supply results in a destroyed unit.
- Sensors should rest preferably in a partitioned container where the mounted filters or lenses will be not coming into contact with other material.
- During storage optical surfaces should be covered to avoid contamination from the surrounding environment.

- A covered container can eliminate damage during transportation and storage.
- Sensors or optical elements should be stored in a restricted access area to eliminate handling.
- Do not expose the sensors to aggressive detergents such as freon, trichlorethylen, etc.
- Avoid rotating the sensors when they are soldered into a PCB or something similar.
- Shortening of the pins is not suggested. This may cause cracks in the glass of the pins and result in a leakage.
- If this is necessary, a tool for this is recommended. Please contact Heimann Sensor for further information.

Soldering Recommendations

Attention: For all of our array sensors we give no guarantee on the calibration and its performance if the pins are shortened by the customer. Additionally, **we strongly recommend to not solder the sensor with its backplate directly to a PCB.** This will cause different thermal conductivity compared to air and the measurement results could get worse. **Use a minimum gap between PCB and backplate of 2 mm or more.** The glass of the pins to the back plate can get damage by applying high temperatures (during soldering), which will lead into a lower temperature reading what cannot be repaired afterwards.

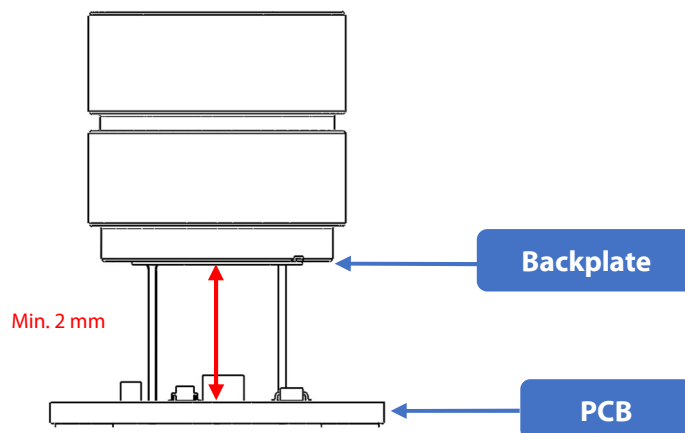


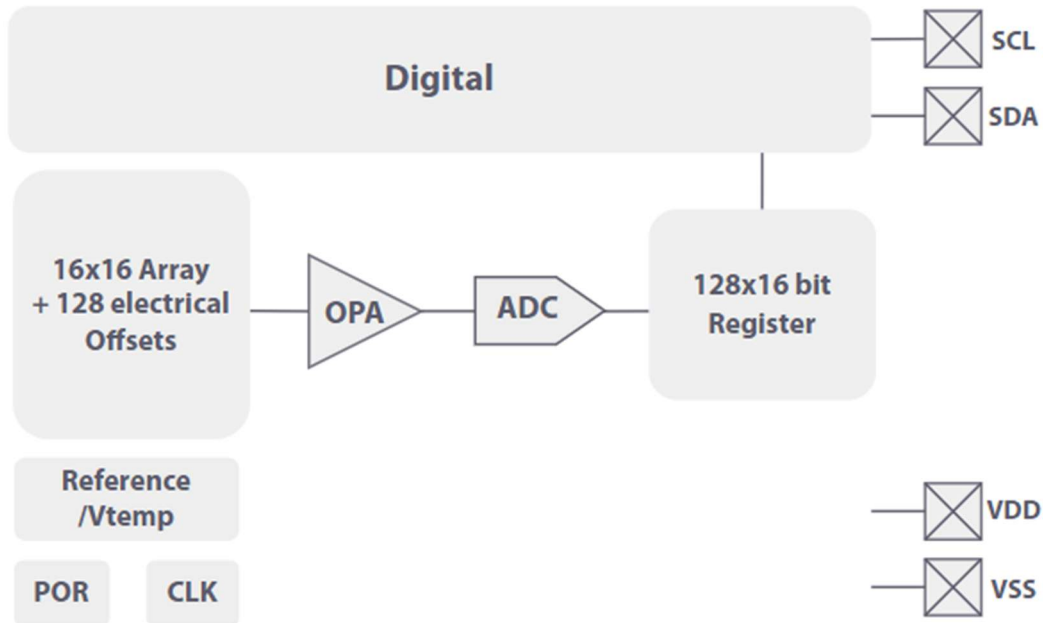
Figure 1: Soldering height

Manual Iron Soldering and Automatic Point-to-Point Iron Soldering

Manual Iron Soldering and Automatic Point-to-Point Iron Soldering methods are allowed for TO packages. It is recommended for through hole applications to shield the package body from soldering heat by PCB or similar.

The soldering iron temperature should be set as low as possible (maximum 350 °C) and should not exceed recommended soldering time (maximum 3 seconds). The minimum distance between the housing body and the liquid solder should be at least 1.5 mm for 350 °C. Reflow soldering is not recommended.

2 Principal Schematic for HTPA16x16d



3 Pin Assignment – Bottom View

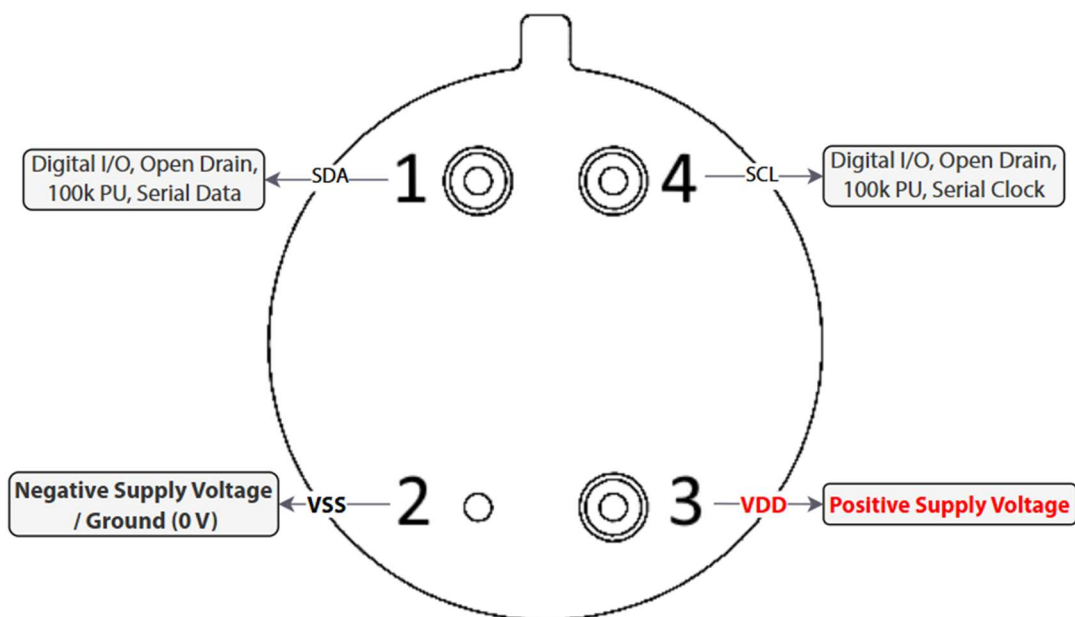
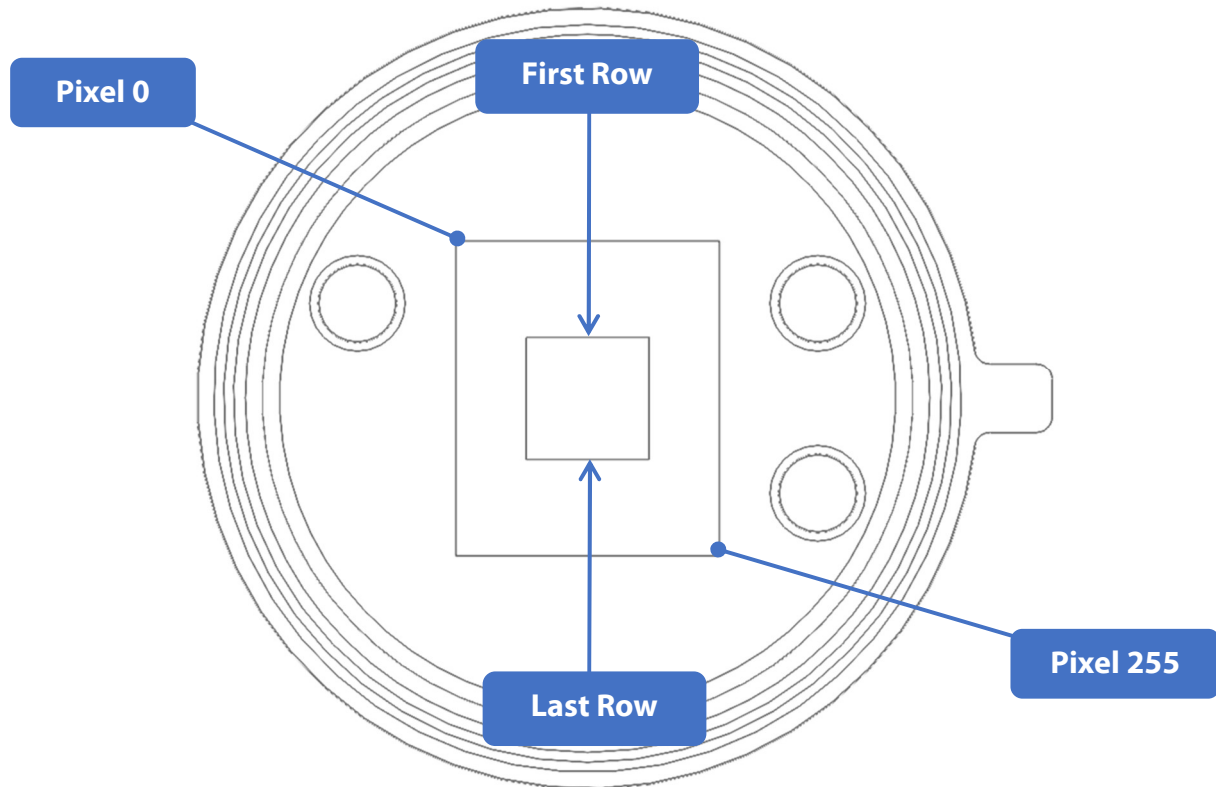
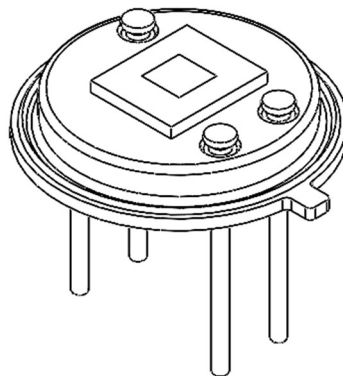


Figure 2: Pin-allocation

4 Optical Orientation



This illustration shows the pixel orientation after mirroring through the lens.



5 Order Code Example

HTPA32x32d	R2	L5.0/0.85	F7.7	e	Hi	M	(UDP)
1	2	3	4	5	6	7	8

		Description
1	Sensor Type	TP Array with 32x32 Pixel For all available HTPA and module combinations contact our support
2	Revision	Silicon revision 2
3	Optics	Focal length/F-Number Focal length: L5.0 = 5.0 mm F-Number: 0.85
4	Filter	F: Filter characteristics Not declared: Broadband AR Coating
5	External Aperture	Not declared: without external aperture e: with external aperture
6	Sensitivity	UH: increased sensitivity Hi: default sensitivity Not declared: lower sensitivity (greater measurement range)
7	Version	A: Application Set: comes with GUI, housing, power supply C: Calibrated sensor M: Modul: HTPA sensor soldered to PCB, calibrated stream
8	Interface	UDP: Ethernet connection, CAT5 PoE: Power over Ethernet, CAT5* i ² C: 4 Pin Connector* USB: Power and data via USB 2.0** * Interface option is only available for modules (HiM) ** Interface option is only available for Application Set (HiA)

6 Application Note

A pull-up resistor of 4.7 kΩ for the I²C pins (SDA and SCL) is recommended. In addition, adding 100 nF and 47 μF are improving the stability of the supply voltage.

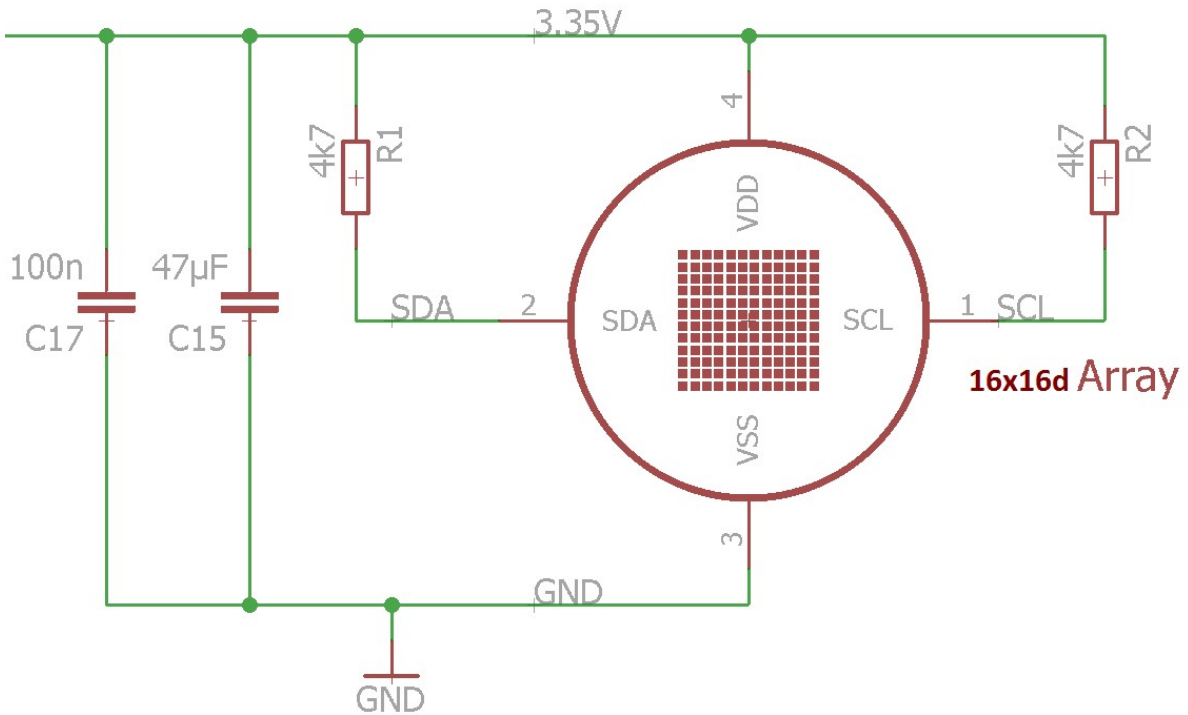


Figure 3: Recommended circuit for operation

The sensor can be powered directly via 3.35 V, if the supply voltage is stable enough, this has to be measured before and tested with the sensor. It is important to not insert any inductor or otherwise the noise will increase.

7 Serial Order of Frame

The sensor is divided into two parts (top and bottom half) which are again separated into 2 blocks. The readout order is shown below for the different blocks.

Block 0 (top)
Block 1 (top)
Block 1 (bottom)
Block 0 (bottom)

Figure 4: Division of blocks

Whenever a conversion is started the Block x of the top and bottom half are measured at the same time. Each block consists of 64 Pixel that are sampled fully parallel. The readout order on the bottom half is mirrored compared to the top half so that the central lines are always read last.

0	1	2	3	4	5	6	7	8	9	10	11	12	13	14	15
16	17	18	19	20	21	22	23	24	25	26	27	28	29	30	31
32	33	34	35	36	37	38	39	40	41	42	43	44	45	46	47
48	49	50	51	52	53	54	55	56	57	58	59	60	61	62	63
64	65	66	67	68	69	70	71	72	73	74	75	76	77	78	79
80	81	82	83	84	85	86	87	88	89	90	91	92	93	94	95
96	97	98	99	100	101	102	103	104	105	106	107	108	109	110	111
112	113	114	115	116	117	118	119	120	121	122	123	124	125	126	127
128	129	130	131	132	133	134	135	136	137	138	139	140	141	142	143
144	145	146	147	148	149	150	151	152	153	154	155	156	157	158	159
160	161	162	163	164	165	166	167	168	169	170	171	172	173	174	175
176	177	178	179	180	181	182	183	184	185	186	187	188	189	190	191
192	193	194	195	196	197	198	199	200	201	202	203	204	205	206	207
208	209	210	211	212	213	214	215	216	217	218	219	220	221	222	223
224	225	226	227	228	229	230	231	232	233	234	235	236	237	238	239
240	241	242	243	244	245	246	247	248	249	250	251	252	253	254	255

↑ readout order top
↓ readout order bottom

Figure 5: 16x16d readout order for active pixel

The electrical offsets are sampled in parallel for the top and bottom half. The matching rows for the corresponding electrical offsets and active Pixel are marked with the same color. The conversion of the electrical offsets is started by sending the command for the BLIND bit during the start command.

0	1	2	3	4	5	6	7	8	9	10	11	12	13	14	15
16	17	18	19	20	21	22	23	24	25	26	27	28	29	30	31
32	33	34	35	36	37	38	39	40	41	42	43	44	45	46	47
48	49	50	51	52	53	54	55	56	57	58	59	60	61	62	63
64	65	66	67	68	69	70	71	72	73	74	75	76	77	78	79
80	81	82	83	84	85	86	87	88	89	90	91	92	93	94	95
96	97	98	99	100	101	102	103	104	105	106	107	108	109	110	111
112	113	114	115	116	117	118	119	120	121	122	123	124	125	126	127

↑ ↓

Figure 6: 16x16d readout order for electrical offset

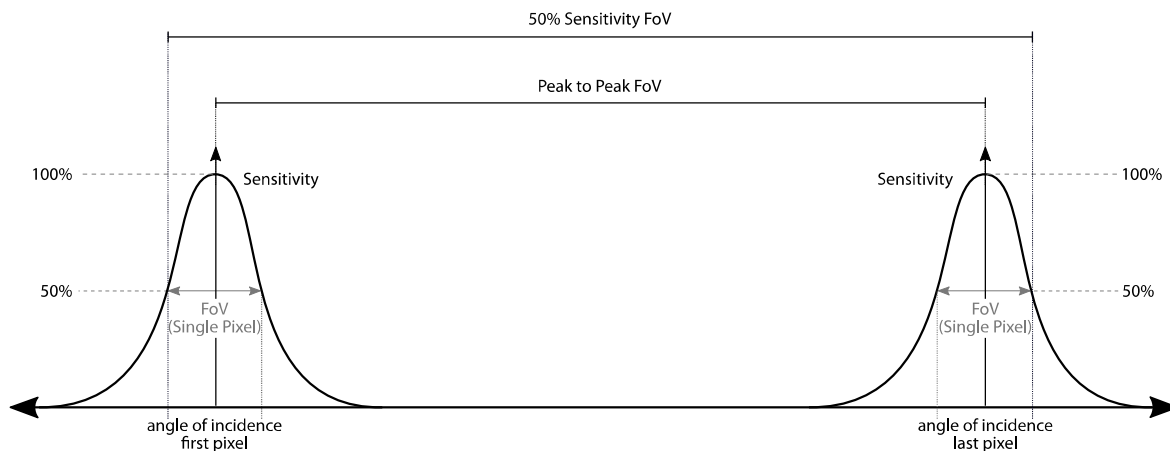
8 Characteristics

8.1 Common Specifications

Technology:	n-poly/p-poly Si
Element Resistance:	approx. 300 kOhms
Thermal pixel time constant:	<4 ms
Digital Interface:	I ² C
EEPROM size:	1024x16 Bit
Pitch:	90 μm
Absorber size:	44 μm
Max. Framerate:	120 Hz
Max. measurable temperature:	700°C with default settings
(complete frame with maximum I ² C and sensor clock speed and reduced ADC resolution)	
256 sensitive elements	

8.2 Optical Characteristics

Focal length:	1.6 mm ("L" equals the focal length of the lens)
F-Number:	0.8
Field of view:	46 x 46 deg (50% sensitivity FoV)



Lens coating:	LWP-Coating 5.0 Cut On (Tr. 5%): 5.0 μm
Accuracy:	±3 % or ±3 K (whatever is larger) in the working ambient temperature range of 5° to 50 °C and object temperatures ≤ to 300 °C

9 Electric Specifications

Table 1: Absolute Maximum Ratings

Parameter	Symbol	Condition	MIN.	TYP.	MAX.	Unit
Supply Voltage	V _{DD}		-0.3		3.6	V
Voltage at all inputs and outputs	V _{IO}		-0.3		V _{DD} +0.3	V
Storage Temperature	T _{STG}		-40		85	Deg. C

Table 2: Operating Conditions

Parameter	Symbol	Condition	MIN.	TYP.	MAX.	Unit
Supply Voltage	V _{DD}		3.3	3.35	3.6	V
Supply Current (sensor running)	I _{DD}		3	3.9	4.8	mA
Supply Current (sensor in idle state)	I _{SBY}		2.8	3.7	4.5	mA
Standby Current (sensor in sleep state)	I _{SBY}		7	9	11	μA
Operation Temperature	T _A		-20		65	Deg. C
ESD-Protection		Human body model	2			kV
		100pF + 1k50hm				

Table 3: Electrical Characteristics

Parameter	Symbol	Condition	MIN.	TYP.	MAX.	Unit
Digital Input						
Internal Clock frequency	F _{CLK}		1	5	13	MHz
Internal I ² C Pull up	R _{PU}		1	100	100	kOhm
BIAS current	I _{BIAS}		1	3	13	μA
BPA current	I _{BPA}		0.2	1.5	4.0	μA
Input voltage high	V _{IH}		0.7xV _{DD}			V
Input voltage low	V _{IL}				0.3xV _{DD}	V
PTAT						
Temperature range			TBD		TBD	Deg. C
PTAT gradient				TBD		K/V

Table 4: Preamplifier / ADC

Parameter	Symbol	Condition	MIN.	TYP.	MAX.	Unit
Chopper frequency	F_{CHP}			20		kHz
Preamplifier Noise	N_{PA}	at 20 kHz		72		nV/Hz ^{1/2}
Frame rate (Full Array)	FR1			18		Hz
Frame rate (Half Array)	FR4			36		Hz
ADC pos. Reference	V_{REFP}			1.6		V
ADC pos. Reference	V_{REFP}			0.9		V
ADC resolution	ADC_{LSB}	at 16-Bit		21		μ V

10 I²C Timings HTPA16x16d

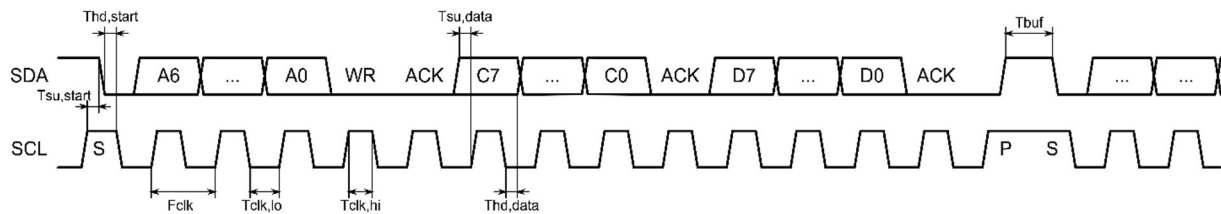


Figure 7: I²C Timings of HTPA16x16d

Table 5: I²C Timings

Parameter	Symbol	Condition	MIN.	TYP.	MAX.	Unit
I ² C clock frequency	F_{CLK}			400	1000	kHz
low pulse duration	$T_{CLK,lo}$		0.50			μ s
high pulse duration	$T_{CLK,hi}$		0.26			μ s
data set up time	$T_{SU,data}$		0.05			μ s
data hold time	$T_{hd,data}$		0.00			μ s
start setup time	$T_{SU,start}$		0.26			μ s
start hold time	$T_{hd,start}$		0.26			μ s
stop setup time	$T_{SU,stop}$		0.26			μ s
Parameter	Symbol	Condition	MIN.	TYP.	MAX.	Unit
stop hold time	$T_{hd,stop}$		0.26			μ s
time between STOP / START	T_{buf}		0.50			μ s
Time startup (after Power-on Reset)	$T_{startup}$				100	μ s
Time wakeup (after sending WAKEUP)	T_{wakeup}				80	μ s

11 I²C Communication

The chip uses the 7-bit I²C address 0x1A for configuration and sensor data and the address 0x1B to access the internal EEPROM followed by 1-bit of read/write command. The address byte is followed by an 8-bit command.

11.1 Write Command

In case of a write access to an internal register the command is followed by the data byte. The chip acknowledges each byte with a low active ACK bit.

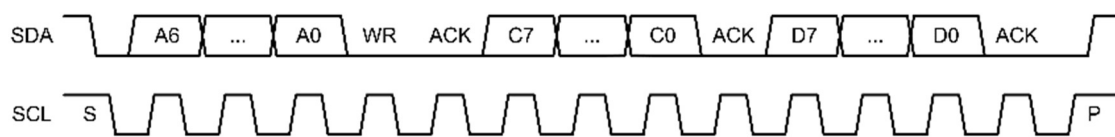


Figure 8: Write Command

11.2 Read Command

To read data from the chip first the address and command must be sent. After the last ACK a new start-bit (repeated start) and the address with a set read-flag initiates the read sequence. There can be bytes read as many as required. The last byte must be denoted by a not-acknowledge. The shown example below can be used e.g. to get the status register.

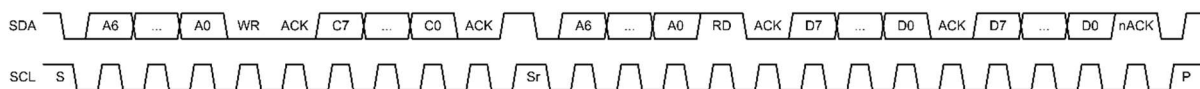


Figure 9: Read Command

11.3 Sensor Commands

The sensor has several registers that can be written and read, they are listed below.

Table 6: Configuration Register (write only)

Addr / CMD	0x1A (7-bit!)/ 0x01							
Config Reg	7	6	5	4	3	2	1	0
Name	RFU				START	VDD_MEAS	BLIND	WAKEUP
Default	0	0	0	0	0	0	0	0

The WAKEUP bit is used to switch on / off the chip and must be set prior all other operations. After the START bit is set the chip starts a conversion of the array or blind elements and enters the idle state (not sleep!) when finished.

If the BLIND bit is set the electrical offsets are sampled instead of the active pixel.

If VDD_MEAS bit is set the VDD voltage is measured instead of the PTAT value.

RFU means reserved for future use and can be subject to change.

Table 7: Status Register (read only)

Addr / CMD	0x1A (7-bit!)/ 0x02							
Status Reg	7	6	5	4	3	2	1	0
Name	RFU							EOC
Default	0	0	0	0	0	0	0	0

If the EOC flag is set a previous started conversion has been finished.

Trim Register 1 (write only)

Addr / CMD	0x1A (7-bit!)/ 0x03							
Trim Reg 1	7	6	5	4	3	2	1	0
Name	RFU				MBIT TRIM			

REF_CAL: selectable amplification

MBIT_TRIM: $m = 4$ to $12 \Rightarrow (m+4)$ bit as ADC resolution

Trim Register 2 (write only)

Addr / CMD	0x1A (7-bit!)/ 0x04							
Trim Reg 2	7	6	5	4	3	2	1	0
Name	RFU			BIAS TRIM TOP				

BIAS_TRIM_TOP: 0 to 31 $\Rightarrow 1 \mu\text{A}$ to $13 \mu\text{A}$

This setting is used to adjust the BIAS current of the ADC. A faster clock frequency requires a higher BIAS current setting.

Trim Register 3 (write only)

Addr / CMD	0x1A (7-bit!)/ 0x05							
Trim Reg 3	7	6	5	4	3	2	1	0
Name	RFU			BIAS TRIM BOT				

BIAS_TRIM_BOT: 0 to 31 $\Rightarrow 1 \mu\text{A}$ to $13 \mu\text{A}$

This setting is used to adjust the BIAS current of the ADC. A faster clock frequency requires a higher BIAS current setting.

Trim Register 4 (write only)

Addr / CMD	0x1A (7-bit!)/ 0x06							
Trim Reg 4	7	6	5	4	3	2	1	0
Name	RFU		CLK TRIM					

CLK_TRIM ranges from 0 to 63 and corresponds the clock frequency F_{CLK} which can be determined via the following formula:

$$F_{CLK} = \left(F_{CLK,min} + \frac{F_{CLK,max} - F_{CLK,min}}{63} \cdot CLK_TRIM \right) \text{ MHz}$$

with

$$F_{CLK,min} = 1 \text{ MHz}$$

$$F_{CLK,max} = 13 \text{ MHz}$$

The measure time depends on the clock frequency settings. One quarter frame takes about:

$$t_{fr4} = \frac{32 \cdot (2^{MBIT} + 4)}{F_{CLK}} \approx 27ms@5MHz$$

MBIT is equal to MBIT TRIM In Trim Register 1.

Trim Register 5 (write only)

Addr / CMD	0x1A (7-bit!) / 0x07							
Trim Reg 5	7	6	5	4	3	2	1	0
Name	RFU				BIAS TRIM TOP			

BPA_TRIM_TOP: 0 to 31 ⇒ 0.2 µA to 4.0 µA

This setting is used to adjust the common mode voltage of the preamplifier.

Trim Register 6 (write only)

Addr / CMD	0x1A (7-bit!) / 0x08							
Trim Reg 6	7	6	5	4	3	2	1	0
Name	RFU				BIAS TRIM BOT			

BPA_TRIM_BOT: 0 to 31 ⇒ 0.2 µA to 4.0 µA

This setting is used to adjust the common mode voltage of the preamplifier.

Trim Register 7 (write only)

Addr / CMD	0x1A (7-bit!) / 0x09							
Trim Reg 7	7	6	5	4	3	2	1	0
Name	PU SDA TRIM				PU SCL TRIM			

PU_SDA_TRIM: select internal pull up resistor on SDA (Default: 100 kOhm)

PU_SCL_TRIM: select internal pull up resistor on SCL (Default: 100 kOhm)

“1000” = 100 kOhm; “0100” = 50 kOhm; “0010” = 10 kOhm; “0001” = 1 kOhm

Table 8: Read Data 1 Command (Top Half of Array)

Addr / CMD	0x1A (7 Bit!) / 0x0A							
Read Data	7	6	5	4	3	2	1	0
1. Byte / 2. Byte	PTAT 1 MSB / LSB or VDD 1 MSB / LSB							
3. Byte / 4. Byte	Pixel (0+BLOCK*64) MSB / LSB							
5. Byte / 6. Byte	Pixel (1+BLOCK*64) MSB / LSB							
...	...							
129. Byte / 130. Byte	Pixel (63+BLOCK*64) MSB / LSB							

Table 9: Read Data 2 Command (Bottom Half of Array)

Addr / CMD	0x1A (7 Bit!) / 0x0B							
Read Data	7	6	5	4	3	2	1	0
1. Byte / 2. Byte	PTAT 2 MSB / LSB or VDD 2 MSB / LSB							
3. Byte / 4. Byte	Pixel (240-BLOCK*64) MSB / LSB							
5. Byte / 6. Byte	Pixel (241-BLOCK*64) MSB / LSB							
...	...							

33. Byte / 34. Byte	Pixel (255-BLOCK*64) MSB / LSB
35. Byte / 36. Byte	Pixel (224-BLOCK*64) MSB / LSB
37. Byte / 38. Byte	Pixel (225-BLOCK*64) MSB / LSB
...	
65. Byte / 66. Byte	Pixel (239-BLOCK*64) MSB / LSB
67. Byte / 68. Byte	Pixel (192-BLOCK*64) MSB / LSB
...	
129. Byte / 130. Byte	Pixel (207-BLOCK*64) MSB / LSB

The complete sensor data must be read at once. If the communication fails somewhere in between, all successive data will be corrupted. The readout can be stopped anywhere by pausing the clock. A new initialized readout proceeds at this stopped byte by continuing the clock, but the index is reset when a new conversion has been started.

If the bit for the electrical offsets (Bit 1 in Config 0x01) is set, the electrical offsets are sampled and can be read similar to the active pixel:

Read Data Electrical Offsets (Top Half of Array)

Addr / CMD	0x1A (7-bit!) / 0x0A							
Read Data	7	6	5	4	3	2	1	0
1. Byte / 2. Byte	PTAT 2 MSB / LSB or VDD 2 MSB / LSB							
3. Byte / 4. Byte	electrical offset (0) MSB / LSB							
5. Byte / 6. Byte	electrical offset (1) MSB / LSB							
...	...							
129. Byte / 130. Byte	electrical offset (63) MSB / LSB							

Read Data Electrical Offsets (Bottom Half of Array)

Addr / CMD	0x1A (7 Bit!) / 0x0B							
Read Data	7	6	5	4	3	2	1	0
1. Byte / 2. Byte	PTAT 2 MSB / LSB or VDD 2 MSB / LSB							
3. Byte / 4. Byte	electrical offset (112) MSB / LSB							
5. Byte / 6. Byte	electrical offset (113) MSB / LSB							
...	...							
33. Byte / 34. Byte	electrical offset (127) MSB / LSB							
35. Byte / 36. Byte	electrical offset (96) MSB / LSB							
...	...							
129. Byte / 130. Byte	electrical offset (79) MSB / LSB							

The complete sensor data must be read at once. If the communication fails somewhere in between, all successive data will be corrupted. The readout can be stopped anywhere by pausing the clock. A new initialized readout proceeds at this stopped byte by continuing the clock, but the index is reset when a new conversion has been started.

11.4 EEPROM Commands

To read/write data from/to the internal EEPROM the I2C address 0x1B is used.

EEPROM Commands

Name	CMD	Read / Write	Comment
Standby	0x00	W	
Active	0x01	W	releases all signals to default state wait for 15µs when wake up from standby
Normal Erase	0x02	W	program pulse width 5ms
Normal Write	0x03	W	program pulse width 5ms
Block Erase	0x04	W	program pulse width 5ms
Block Write	0x05	W	program pulse width 5ms
Normal Read	0x06	W	program pulse width 5ms
Set Address	0x09	W	program pulse width 5ms
Set Data	0x0A	W	16 bit data, MSB first
Get Data	0x0B	R	16 bit data, MSB first

Note:

The EEPROM must be activated (wake up from standby) prior being used. The active command also initializes the EEPROM to its default state.

Note:

Each word must be erased before it can be written, a write command stores only a "1" to the EEPROM cell.
Note: The commands "SET_DATA" / "GET_DATA" will increment the address pointer, except for the first execution after "SET_ADDR".

11.5 I²C Example Sequences – EEPROM Wakeup / Standby

	ADDR	W/R	EEPROM_ACTIVE	
S	0x1B	0	0x01	P

	ADDR	W/R	EEPROM_STANDBY	
S	0x1B	0	0x00	P

11.6 I²C Example Sequences – EEPROM Block Erase / Block Write

	ADDR	W/R	EEPROM_ACTIVE	
S	0x1B	0	0x01	P

wait 1 ms

	ADDR	W/R	BLOCK_ERASE	
S	0x1B	0	0x04	P

wait 5 ms

	ADDR	W/R	SET_DATA	DATA_MSB	DATA_LSB	
S	0x1B	0	0x0A	DATA	DATA	P

	ADDR	W/R	BLOCK_WRITE	
S	0x1B	0	0x05	P

wait 5 ms

	ADDR	W/R	STANDBY	
S	0x1B	0	0x00	P

11.7 I²C Example Sequences – EEPROM Sequential Erase/Write

	ADDR	W/R	EEPROM_ACTIVE	
S	0x1B	0	0x01	P

wait 1 ms

	ADDR	W/R	SET_ADDR	EEP_ADDR	
S	0x1B	0	0x09	ADDR	P

	ADDR	W/R	NORMAL_ERASE	
S	0x1B	0	0x02	P

wait 5 ms

	ADDR	W/R	SET_DATA	DATA_MSB	DATA_LSB	
S	0x1B	0	0x0A	DATA	DATA	P

	ADDR	W/R	NORMAL_WRITE	
S	0x1B	0	0x03	P

wait 5 ms

	ADDR	W/R	SET_ADDR	EEP_ADDR	
S	0x1B	0	0x09	ADDR	P

	ADDR	W/R	NORMAL_ERASE	
S	0x1B	0	0x02	P

wait 5 ms

	ADDR	W/R	SET_DATA	DATA_MSB	DATA_LSB	
S	0x1B	0	0x0A	DATA	DATA	P

	ADDR	W/R	NORMAL_WRITE	
S	0x1B	0	0x03	P

wait 5 ms

	ADDR	W/R	SET_ADDR	EEP_ADDR	
S	0x1B	0	0x09	ADDR	P

	ADDR	W/R	NORMAL_ERASE	
S	0x1B	0	0x02	P

wait 5 ms

	ADDR	W/R	SET_DATA	DATA_MSB	DATA_LSB	
S	0x1B	0	0x0A	DATA	DATA	P

	ADDR	W/R	NORMAL_WRITE	
S	0x1B	0	0x03	P

wait 5 ms

	ADDR	W/R	SET_ADDR	EEP_ADDR	
S	0x1B	0	0x09	ADDR	P

	ADDR	W/R	NORMAL_ERASE	
S	0x1B	0	0x02	P

wait 5 ms

	ADDR	W/R	STANDBY	
S	0x1B	0	0x00	P

11.8 I²C Example Sequence – EEPROM Continuous Erase

	ADDR	W/R	EEPROM_ACTIVE	
S	0x1B	0	0x01	P

wait 1 ms

	ADDR	W/R	SET_ADDR	EEP_ADDR	
S	0x1B	0	0x09	ADDR	P

	ADDR	W/R	NORMAL_ERASE	
S	0x1B	0	0x02	P

wait 5 ms

	ADDR	W/R	SET_ADDR	EEP_ADDR	
S	0x1B	0	0x09	ADDR	P

	ADDR	W/R	NORMAL_ERASE	
S	0x1B	0	0x02	P

wait 5 ms

	ADDR	W/R	STANDBY	
S	0x1B	0	0x00	P

11.9 I²C Example Sequence – EEPROM Continuous Write

	ADDR	W/R	EEPROM_ACTIVE	
S	0x1B	0	0x01	P

wait 1 ms

	ADDR	W/R	SET_ADDR	EEP_ADDR	
S	0x1B	0	0x09	ADDR	P

	ADDR	W/R	SET_DATA	DATA_MSB	DATA_LSB	
S	0x1B	0	0x0A	DATA	DATA	P

	ADDR	W/R	NORMAL_WRITE	
S	0x1B	0	0x03	P

wait 5 ms

	ADDR	W/R	SET_DATA	DATA_MSB	DATA_LSB	
S	0x1B	0	0x0A	DATA	DATA	P

	ADDR	W/R	NORMAL_WRITE	
S	0x1B	0	0x03	P

wait 5 ms

	ADDR	W/R	STANDBY	
S	0x1B	0	0x00	P

11.10 I²C Example Sequence – EEPROM Sequential Read

	ADDR	W/R	EEPROM_ACTIVE	
S	0x1B	0	0x01	P

wait 1 ms

	ADDR	W/R	SET_ADDR	EEP_ADDR	
S	0x1B	0	0x09	ADDR	P

	ADDR	W/R	NORMAL_READ	
S	0x1B	0	0x06	P

	ADDR	W/R	GET_DATA		ADDR	W/R	DATA_MSB	DATA_LSB	
S	0x1B	0	0x0B	Sr	0x1B	1	??	??	P

	ADDR	W/R	SET_ADDR	EEP_ADDR	
S	0x1B	0	0x09	ADDR	P

	ADDR	W/R	NORMAL_READ	
S	0x1B	0	0x06	P

	ADDR	W/R	GET_DATA		ADDR	W/R	DATA_MSB	DATA_LSB	
S	0x1B	0	0x0B	Sr	0x1B	1	??	??	P

	ADDR	W/R	STANDBY	
S	0x1B	0	0x00	P

11.11 I²C Example Sequence – EEPROM Continuous Read

	ADDR	W/R	EEPROM_ACTIVE	
S	0x1B	0	0x01	P

wait 1 ms

	ADDR	W/R	SET_ADDR	EEP_ADDR	
S	0x1B	0	0x09	ADDR	P

	ADDR	W/R	NORMAL_READ	
S	0x1B	0	0x06	P

	ADDR	W/R	GET_DATA		ADDR	W/R	DATA_MSB	DATA_LSB	
S	0x1B	0	0x0B	Sr	0x1B	1	??	??	P

	ADDR	W/R	GET_DATA		ADDR	W/R	DATA_MSB	DATA_LSB	
S	0x1B	0	0x0B	Sr	0x1B	1	??	??	P

	ADDR	W/R	GET_DATA		ADDR	W/R	DATA_MSB	DATA_LSB	
S	0x1B	0	0x0B	Sr	0x1B	1	??	??	P

	ADDR	W/R	GET_DATA		ADDR	W/R	DATA_MSB	DATA_LSB	
S	0x1B	0	0x0B	Sr	0x1B	1	??	??	P

	ADDR	W/R	STANDBY	
S	0x1B	0	0x00	P

11.12 I²C Example Sequence – Init and Read Thermopile Array

	ADDR	R/W	CONFIG_REG	WAKEUP	
S	0x1A	0	0x01	0x01	P

	ADDR	R/W	TRIM_REG1	MBIT_TRIM	
S	0x1A	0	0x03	0x0C	P

	ADDR	R/W	TRIM_REG2	BIAS_TRIML	
S	0x1A	0	0x04	0x0C	P

	ADDR	R/W	TRIM_REG3	BIAS_TRIMR	
S	0x1A	0	0x05	0x0C	P

	ADDR	R/W	TRIM_REG4	CLK_TRIM	
S	0x1A	0	0x06	0x14	P

	ADDR	R/W	TRIM_REG5	BPA_TRIML	
S	0x1A	0	0x07	0x0C	P

	ADDR	R/W	TRIM_REG6	BPA_TRIMR	
S	0x1A	0	0x08	0x0C	P

	ADDR	R/W	TRIM_REG7	PU_TRIM	
S	0x1A	0	0x09	0x88	P

	ADDR	R/W	CONFIG_REG	START / WAKEUP	
S	0x1A	0	0x01	0x09	P

	ADDR	R/W	STATUS_REG		ADDR	R/W	STATUS	
S	0x1A	0	0x02	Sr	0x1A	1	??	P

WAIT 30ms

	ADDR	R/W	STATUS_REG		ADDR	R/W	STATUS	
S	0x1A	0	0x02	Sr	0x1A	1	??	P

	ADDR	R/W	READ_DATA1		ADDR	R/W	PTAT1 MSB	PTAT1 LSB	P0,0 MSB	P0,0 LSB	...	Px,y MSB	Px,y LSB	
S	0x1A	0	0x0A	Sr	0x1A	1	??	??						P

	ADDR	R/W	READ_DATA2		ADDR	R/W	PTAT1 MSB	PTAT1 LSB	P0,0 MSB	P0,0 LSB	...	Px,y MSB	Px,y LSB	
S	0x1A	0	0x0B	Sr	0x1A	1	??	??						P

	ADDR	R/W	CONFIG_REG	SLEEP	
S	0x1A	0	0x01	0x00	P

12 Temperature Calculation

The object and ambient temperature can be calculated from the sensor output and the stored calibration data. The table below is showing an overview of the EEPROM.

16x16d	0x00	0x01	0x02	0x03	0x04	0x05	0x06	0x07	0x08	0x09	0x0A	0x0B	0x0C	0x0D	0x0E	0x0F
0	PixCmax (float)		PixCmax (float)						gradScale	GlobalGain			TN	epsilon	NrOfBpiv/Mask	DeadPixAdr
10	MBIT(user)	BIAS(user)	CLK(user)	BPA(user)	PU(user)	VddMeas(Th1)	VddMeas(Th2)				MBIT(calib)	BIAS(calib)	CLK(calib)	BPA(calib)	PU(calib)	
20													PTAT (Th1) (unsig)	PTAT (Th2) (un		
30					PTAT-gradient (float)	PTAT-offset (float)					Device ID			VddScGrad	VddScOff	
40	VddCompGrad stored as 12 bit sigend values															
90	VddCompOff stored as 12 bit sigend values															
A0	Th1 _j / Grad _j stored as 16 bit signed values															
F0	Th2 _j / Offset _j stored as 16 bit signed values															
2F0	P _i stored as 16 bit unsigned values															
3F0																

All values are stored as unsigned 16 bit values in the little endian format unless they are specified otherwise. Grey marked areas are used during calibration or for future use and are Heimann Sensor reserved.

MBIT(calib), BIAS(calib), CLK(calib), BPA(calib) and PU(calib) are the settings for the registers that have been used during calibration (see chapter 11.3 on how to set them). MBIT(user), BIAS(user), CLK(user), BPA(user) and PU(user) are free to be set by the user. The temperature calculation is only valid if the same settings are used that have been set during calibration!

TN is the table number and has to match the given table number in the sample code.

GlobalGain, VDDTh1, VDDTh2, PTATTh1 and PTATTh2 are stored as 16 bit unsigned values.

VDDTH1 and VDDTH2 is the used supply voltage during calibration measured by the sensor itself and stored in Digits.

The corresponding order of $ThGrad_{ij}$, $ThOffset_{ij}$ and P_{ij} to the Pixel number is given by the following overview:

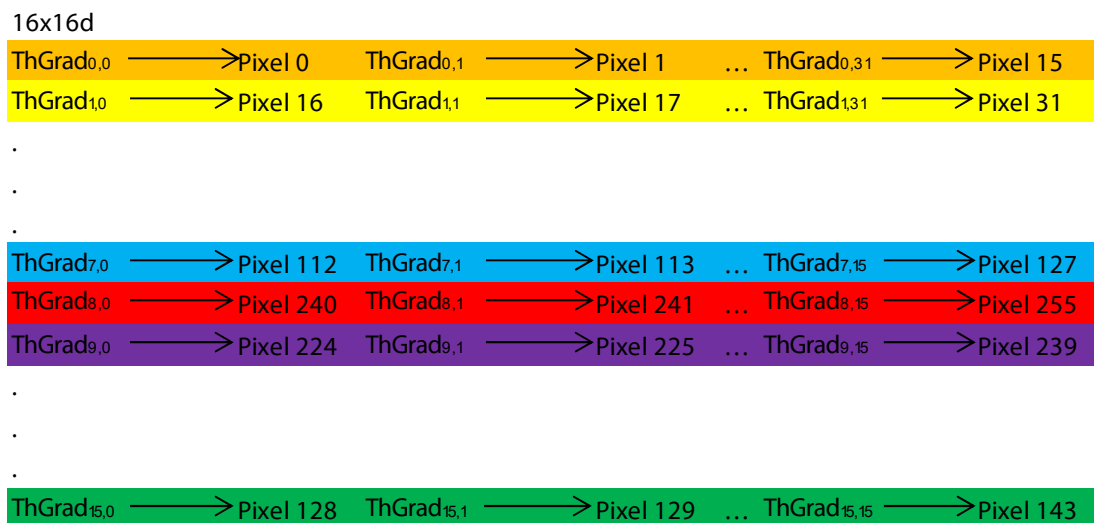


Figure 11: Readout Order 16x16d

The order of $VddCompGrad_{ij}$ and $VddCompOff_{ij}$ is similar to the electrical Offsets and have to be used block by block. $VddCompGrad_{ij}$ and $VddCompOff_{ij}$ are stored as 12 bit signed values with an offset of 0x800. Please check the sample code for a more detailed readout of the 12 bit values.

16x16d

VddCompGrad _{0,0} →	Pixel 0	VddCompGrad _{0,1} →	Pixel 1	...	VddCompGrad _{0,15} →	Pixel 15	top half
VddCompGrad _{1,0} →	Pixel 15	VddCompGrad _{1,1} →	Pixel 16	...	VddCompGrad _{1,15} →	Pixel 31	
VddCompGrad _{2,0} →	Pixel 32	VddCompGrad _{2,1} →	Pixel 33	...	VddCompGrad _{2,15} →	Pixel 47	
VddCompGrad _{3,0} →	Pixel 48	VddCompGrad _{3,1} →	Pixel 49	...	VddCompGrad _{3,15} →	Pixel 63	
VddCompGrad _{0,0} →	Pixel 64	VddCompGrad _{0,1} →	Pixel 65	...	VddCompGrad _{0,15} →	Pixel 79	
.							
.							
.							
VddCompGrad _{3,0} →	Pixel 112	VddCompGrad _{3,1} →	Pixel 113	...	VddCompGrad _{3,15} →	Pixel 127	bottom half
VddCompGrad _{4,0} →	Pixel 240	VddCompGrad _{4,1} →	Pixel 241	...	VddCompGrad _{4,15} →	Pixel 255	
VddCompGrad _{5,0} →	Pixel 224	VddCompGrad _{5,1} →	Pixel 225	...	VddCompGrad _{5,15} →	Pixel 239	
VddCompGrad _{6,0} →	Pixel 208	VddCompGrad _{6,1} →	Pixel 209	...	VddCompGrad _{6,15} →	Pixel 223	
VddCompGrad _{7,0} →	Pixel 192	VddCompGrad _{7,1} →	Pixel 193	...	VddCompGrad _{7,15} →	Pixel 207	
VddCompGrad _{4,0} →	Pixel 176	VddCompGrad _{4,1} →	Pixel 177	...	VddCompGrad _{4,15} →	Pixel 191	
.							
.							
.							
VddCompGrad _{7,0} →	Pixel 128	VddCompGrad _{7,1} →	Pixel 129	...	VddCompGrad _{7,15} →	Pixel 143	

Figure 10: Readout of VDDCompGrad 16x16d

12.1 Ambient Temperature

The ambient temperature (T_a) is calculated from the average measured PTAT value, the $PTAT_{gradient}$ and the $PTAT_{offset}$. It is recommended to use a stack buffer for the PTAT values in order to get a more stable ambient temperature result.

$$T_a = PTAT_{av} \cdot PTAT_{gradient} + PTAT_{offset} \quad (\text{Value is given back in } \mu\text{K})$$

where:

$PTAT_{gradient}$ is the gradient of the PTAT stored in the EEPROM as a float value

$PTAT_{offset}$ is the offset of the PTAT stored in the EEPROM as a float value

$PTAT_{av} = \frac{\sum_{i=0}^3 PTAT_i}{4}$ is the average measured PTAT value

12.2 Thermal Offset

The thermal offset of the sensor needs to be subtracted for each pixel to compensate for any thermal drifts.

$$V_{ij_Comp} = V_{ij} - \frac{ThGrad_{ij} \cdot Ta}{2gradScale} - ThOffset_{ij}$$

where:

<i>ij</i>	represents the row (i) and column (j) of the pixel
<i>V_{ij_Comp}</i>	is the thermal offset compensated voltage
<i>V_{ij}</i>	is the raw pixel data (digital), readout from the RAM
<i>ThGrad_{ij}</i>	is the thermal gradient, stored in the EEPROM from 0x40 to 0x7F
<i>ThOffset_{ij}</i>	is the thermal offset, stored in the EEPROM from 0x80 to 0xBF
<i>gradScale</i>	is the scaling coefficient for the thermal gradient stored in the EEPROM

12.3 Electrical Offset

The electrical offset is used to compensate changes in the supply voltage. This compensation is only a subtraction, so it can be done before or after the thermal offset compensation (here done afterwards). It is recommended to use an electrical offset stack in order to get a more stable electrical offset result and a more stable temperature result at the end. The electrical offsets should be sampled every 8th to 10th frame.

The compensation for the top half is done by using the following formula:

$$V_{ij_Comp} * = V_{ij_Comp} - elOffset[(j + i \cdot 16) \% 64]$$

and the bottom half analogue with this formula:

$$V_{ij_Comp} * = V_{ij_Comp} - elOffset[(j + i \cdot 16) \% 64 + 64]$$

where:

<i>ij</i>	represents the row (i) and column (j) of the pixel and electrical offset
<i>V_{ij_Comp} *</i>	is the thermal and electrical offset compensated voltage
<i>V_{ij_Comp}</i>	is the thermal offset compensated voltage
<i>elOffset_{ij}</i>	is the electrical offset belonging to Pixel ij
<i>i%64</i>	is the rest of the integer division of i by 64 (e.g. 68%64=2) ("modulo")

12.4 VDD Compensation

A supply voltage compensation called VddComp is used to take care of supply voltage changes. In order to use this compensation the supply voltage of the sensor (Vdd) has to be measured by the sensor from time to time by setting the configuration register and the average of Vdd 1 and Vdd 2 is resulting in Vdd (similar like $PTAT_{av}$). It is recommended to use a VDD stack buffer in order to get a more stable VDD value. The stack should be similar to the PTAT stack.

The compensation for the top half is done by using the following formula:

$$VDD_{av} = \frac{\sum_{i=0}^3 VDD_i}{4}$$

$$V_{ijVDDComp} = V_{ijComp} * \frac{\left(\frac{VddCompGrad[(j + i \cdot 16)\%64] \cdot PTAT_{av} + VddCompOff[(j + i \cdot 16)\%64]}{2^{VDDScGrad}} \right)}{2^{VDDScOff}}$$

$$\cdot \left(VDD_{av} - VDD_{TH1} - \left(\frac{VDD_{TH2} - VDD_{TH1}}{PTAT_{TH2} - PTAT_{TH1}} \right) \cdot (PTAT_{av} - PTAT_{TH1}) \right)$$

And the bottom half analogue with this formula:

$$V_{ijVDDComp} = V_{ijComp} * \frac{\left(\frac{VddCompGrad[(j + i \cdot 16)\%64 + 64] \cdot PTAT_{av} + VddCompOff[(j + i \cdot 16)\%64 + 64]}{2^{VDDScGrad}} \right)}{2^{VDDScOff}}$$

$$\cdot \left(VDD_{av} - VDD_{TH} - \left(\frac{VDD_{TH2} - VDD_{TH1}}{PTAT_{TH2} - PTAT_{TH1}} \right) \cdot (PTAT_{av} - PTAT_{TH}) \right)$$

where:

ij	represents the row (i) and column (j) of the pixel
$V_{ijVDDComp}$	is the Vdd compensated voltage
$V_{ijComp} *$	is the thermal and electrical offset compensated voltage
$VddComGrad[ij]$	is the VddComp gradient belonging to Pixel ij
$VddComOff[ij]$	is the VddComp offset belonging to Pixel ij
$i\%64$	is the rest of the integer division of i by 64 (e.g. $66\%64=2$) ("modulo")
VDD_{av}	is the average measured supply voltage of the sensor in Digits
$VddScGrad$	is a scaling coefficient and stored in the EEPROM 0x3E

$VddScOff$	is a scaling coefficient and stored in the EEPROM 0x3F
VDD_{TH1}	is the supply voltage during calibration 1 stored in the EEPROM 0x25
VDD_{TH2}	is the supply voltage during calibration 2 stored in the EEPROM 0x26
$PTAT_{TH1}$	is the PTAT value of calibration 1 stored in the EEPROM 0x2C
$PTAT_{TH2}$	is the PTAT value of calibration 2 stored in the EEPROM 0x2D

12.5 Object Temperature

The calculation of the object temperature is done by using a look-up table and doing a bi-linear interpolation, the matching table is given by the table number (TN). The table is supplied in a separate file named "Table.c". If you do not have the file, please ask Heimann Sensor for support.

The sensitivity coefficients ($PixC_{ij}$) are calculated in the following way:

$$PixC_{ij} = \left(\frac{P_{ij} \cdot (PixC_{max} - PixC_{min})}{65535} + PixC_{min} \right) \cdot \frac{\epsilon}{100} \cdot \frac{GlobalGain}{10000}$$

where:

$PixC_{ij}$	is the sensitivity coefficient for each pixel
P_{ij}	is the stored sensitivity coefficient scaled to 16 bit
$PixC_{min}$	is the minimum sensitivity coefficient, used for scaling
$PixC_{max}$	is the maximum sensitivity coefficient, used for scaling
ϵ	is the emissivity factor
$GlobalGain$	is a factor for fine tuning of the sensitivity for all Pixel

Leading to a compensation of the pixel voltage

$$V_{ij_PixC} = \frac{V_{ij_VDDcomp} \cdot PCSCALEVAL}{PixC_{ij}}$$

where:

V_{ij_PixC} is the sensitivity compensated IR voltage

$PCSCALEVAL$ is a defined scaling coefficient, typically set to $1 \cdot 10^8$

13 Example Calculation

$$PTAT = 32357 \text{ Digits}$$

$$PTAT_{gradient} = 0.046 \text{ dK/Digit}$$

$$V_{00} = 34435 \text{ Digits}$$

$$gradScale = 15$$

$$ThGrad_{00} = 56693 \xrightarrow{\text{sign che}} -8842$$

$$ThOffset_{00} = 44$$

$$elOffset_{00} = 35000$$

$$PixC_{00} = 1.1 \cdot 10^8$$

$$PCSCALEVAL = 1.1 \cdot 10^8$$

Calculation of ambient temperature:

$$Ta = PTAT \cdot PTAT_{gradient} + PTAT_{offset} = 32357 \cdot 0.046 + 1511.6 \text{ dK} = 3000 \text{ dK}$$

Compensation of thermal offset:

$$V_{00_comp} = V_{00} - \frac{ThGrad_{00} \cdot Ta}{2^{gradscale}} - ThOffset_{00} = -\frac{-8842 \cdot 3000}{2^{15}} - 44 = 35200$$

Compensation of electrical offset:

$$V_{00_comp}^* = V_{00_comp} - elOffset_{00} = 35200 - 35000 = 200$$

13.1 Example Look-up Table

Look-up table, TO values are given in dK				
TA[dK]/dig	2882	3032	3182	3332
-64	1494	2128	2491	2775
-32	2466	2692	2898	3091
0	2882	3032	3182	3332
32	3170	3285	3406	3530
64	3396	3491	3592	3699
96	3584	3665	3754	3848
128	3746	3818	3897	3981
160	3890	3954	4025	4102
192	4019	4078	4143	4214
224	4137	4191	4251	4317
256	4246	4296	4351	4413
288	4347	4393	4445	4503
320	4441	4485	4534	4588

$$V_{00_Comp} = \frac{200 \cdot 1 \cdot 10^8}{1.1 \cdot 10^8}$$

Ta was calculated before to 3000 dK.

The matching region in the look-up table is already marked yellow, the bi-linear interpolation is leading to an object temperature of 4026 dK = (4026dK-2732dK)/10 = 129.4 °C.

HTPA16x16dR2L1.6/0.8F5.0

02.03.2026 (Revision 15)

Page 31 of 33



The matching look-up table has to be taken from the "Table.c" file. Here is just shown an exemplary data for one optic.

dig 1 Tab(dK)	2782	2882	2982	3082	3182	3282	3382
-512					1742	2002	2202
-448					2094	2284	2442
-384					2322	2422	2534
-320					2534	2671	2797
-256					2697	2822	2938
-192	2287	2444	2587	2717	2839	2954	3065
-128	2618	2812	2974	3125	3252	3364	3473
-64	2842	2755	2865	2972	3078	3182	3285
0	2762	2882	2982	3082	3182	3282	3382
64	2908	2998	3089	3183	3278	3373	3473
128	3018	3101	3187	3276	3368	3462	3558
192	3121	3197	3278	3363	3452	3544	3638
256	3216	3286	3363	3445	3531	3621	3715
320	3305	3370	3443	3522	3606	3695	3787
384	3387	3449	3519	3593	3677	3764	3856
448	3465	3524	3590	3664	3745	3831	3922
512	3538	3595	3659	3731	3810	3895	3986
576	3609	3662	3724	3794	3872	3957	4047
640	3676	3727	3787	3855	3932	4016	4106
704	3740	3788	3847	3914	3990	4073	4163
768	3802	3849	3908	3971	4046	4128	4216
832	3861	3905	3960	4023	4100	4182	4271
896	3918	3960	4014	4078	4152	4233	4322
960	3973	4014	4066	4129	4202	4284	4372
1024	4026	4065	4117	4179	4251	4332	4421
1088	4077	4115	4166	4227	4299	4380	4469
1152	4127	4164	4213	4274	4345	4426	4515
1216	4175	4211	4260	4320	4391	4471	4560
1280	4221	4257	4304	4363	4434	4514	4604
1344	4268	4302	4349	4408	4478	4558	4647
1408	4312	4345	4391	4450	4520	4600	4689
1472	4355	4388	4433	4492	4561	4641	4730
1536	4398	4430	4474	4532	4601	4681	4770
1600	4439	4470	4514	4571	4640	4720	4809
1664	4480	4509	4553	4610	4679	4758	4848
1728	4518	4548	4591	4648	4716	4795	4885
1792	4558	4588	4631	4688	4756	4835	4925
1856	4595	4623	4666	4723	4790	4869	4959
1920	4633	4660	4702	4757	4825	4905	4995
1984	4669	4695	4737	4792	4860	4940	5030
2048	4705	4731	4772	4826	4894	4974	5064
2112	4740	4765	4806	4860	4928	5008	5098
2176	4774	4798	4839	4894	4961	5041	5131
2240	4808	4832	4872	4926	4994	5074	5164
2304	4841	4865	4904	4958	5026	5106	5197
2368	4873	4897	4936	4990	5058	5137	5228
2432	4905	4929	4968	5022	5090	5169	5260
2496	4937	4960	4998	5052	5119	5199	5291
2560	4968	4991	5029	5082	5149	5229	5321
2624	4999	5021	5059	5112	5179	5259	5351
2688	5029	5050	5088	5141	5208	5288	5381
2752	5059	5080	5117	5170	5237	5318	5410
2816	5088	5109	5146	5199	5266	5348	5439
2880	5117	5137	5174	5227	5294	5375	5466
2944	5145	5165	5202	5255	5322	5403	5494
3008	5173	5193	5230	5282	5349	5430	5521
3072	5201	5220	5257	5309	5376	5457	5548
3136	5228	5247	5284	5336	5403	5484	5575
3200	5255	5274	5310	5362	5429	5510	5601
3264	5282	5300	5336	5388	5455	5537	5628
3328	5308	5326	5362	5414	5481	5563	5654
3392	5334	5351	5387	5439	5507	5589	5680
3456	5360	5377	5413	5465	5532	5613	5704
3520	5385	5403	5438	5490	5557	5638	5729
3584	5410	5427	5462	5514	5581	5662	5753
3648	5435	5452	5487	5539	5606	5687	5778
3712	5459	5476	5511	5562	5630	5712	5803
3776	5483	5500	5535	5586	5654	5736	5827
3840	5507	5523	5558	5609	5677	5759	5850
3904	5531	5547	5582	5633	5701	5783	5874
3968	5554	5571	5606	5657	5724	5806	5897
4032	5578	5594	5628	5679	5747	5829	5920
4096	5601	5616	5650	5701	5769	5851	5942
4160	5623	5639	5673	5724	5792	5874	5965
4224	5646	5661	5695	5746	5814	5897	5988
4288	5668	5683	5717	5768	5836	5919	6010
4352	5690	5705	5739	5790	5858	5941	6032
4416	5712	5727	5760	5811	5879	5963	6054
4480	5734	5748	5780	5831	5901	5984	6076
4544	5755	5770	5803	5854	5922	6006	6098
4608	5776	5791	5824	5875	5943	6027	6119
4672	5797	5811	5844	5895	5964	6048	6140
4736	5818	5832	5865	5916	5984	6069	6161
4800	5839	5853	5886	5937	6005	6090	6182
4864	5859	5873	5906	5957	6025	6110	6202
4928	5880	5893	5926	5977	6045	6130	6222
4992	5900	5913	5946	5997	6065	6150	6242
5056	5920	5933	5965	6017	6085	6170	6262
5120	5940	5953	5985	6036	6105	6190	6282
5184	5959	5972	6005	6056	6124	6209	6301
5248	5978	5991	6024	6075	6144	6229	6321
5312	5998	6011	6043	6094	6163	6248	6340
5376	6017	6030	6062	6113	6182	6267	6359
5440	6036	6049	6081	6132	6201	6286	6378
5504	6055	6067	6099	6150	6220	6305	6397
5568	6074	6086	6118	6169	6238	6323	6415
5632	6092	6104	6136	6187	6257	6342	6434
5696	6111	6123	6155	6206	6275	6361	6452
5760	6129	6141	6173	6224	6293	6379	6471
5824	6147	6159	6191	6242	6311	6398	6490
5888	6165	6177	6209	6260	6329	6416	6507
5952	6183	6195	6227	6278	6347	6434	6525
6016	6201	6212	6244	6295	6364	6451	6542
6080	6219	6230	6261	6312	6381	6468	6559
6144	6236	6247	6279	6330	6400	6487	6578
6208	6253	6264	6295	6346	6415	6502	6593
6272	6271	6282	6313	6364	6434	6521	6612
6336	6288	6299	6330	6381	6451	6538	6629
6400	6305	6316	6347	6398	6468	6555	6646
6464	6322	6332	6363	6414	6484	6571	6662
6528	6339	6349	6380	6431	6502	6589	6680
6592	6355	6366	6397	6448	6519	6607	6698
6656	6372	6382	6413	6464	6535	6622	6713
6720	6388	6398	6429	6480	6551	6638	6729
6784	6405	6415	6446	6497	6568	6655	6746

6848	6421	6431	6462	6514	6584	6673	6777
6912	6437	6447	6478	6530	6600	6689	6794
6976	6453	6463	6494	6546	6616	6705	6810
7040	6468	6479	6510	6562	6632	6721	6826
7104	6485	6495	6526	6578	6648	6737	6842
7168	6501	6511	6542	6594	6664	6753	6858
7232	6517	6526	6557	6609	6679	6768	6874
7296	6532	6542	6573	6624	6694	6783	6888
7360	6548	6557	6588	6640	6710	6800	6906
7424	6563	6572	6603	6655	6725	6815	6922
7488	6578	6588	6619	6670	6740	6830	6937
7552	6593	6603	6634	6685	6755	6845	6952
7616	6609	6618	6649	6700	6770	6860	6967
7680	6624	6633	6664	6715	6785	6875	6982
7744	6639	6648	6679	6730	6800	6890	6995
7808	6654	6663	6694	6745	6815	6905	7010
7872	6669	6677	6708	6760	6830	6920	7025
7936	6683	6692	6723	6774	6844	6934	7040
8000	6698	6707	6737	6788	6858	6948	7055
8064	6712	6721	6752	6803	6873	6963	7070
8128	6727	6735	6766	6817	6887	6977	7085
8192	6741	6750	6780	6831	6901	6991	7100
8256	6756	6764	6795	6846	6916	7006	7115
8320	6770	6778	6809	6860	6930	7020	7130
8384	6784	6792	6823	6874	6944	7034	7147
8448	6798	6806	6837	6888	6958	7048	7162
8512	6812	6820	6851	6902	6972	7062	

14 Order Code Chart

HTPA16x16d	R2	L1.0/0.8	F5.0	Hi	A	(USB)
HTPA16x16d	R2	L1.0/0.8	F5.0	Hi	A	(UDP)
HTPA16x16d	R2	L1.0/0.8	F5.0	Hi	M	(UDP)
HTPA16x16d	R2	L1.0/0.8	F5.0	Hi	C	
HTPA16x16d	R2	L1.6/0.8	F5.0	Hi	A	(USB)
HTPA16x16d	R2	L1.6/0.8	F5.0	Hi	A	(UDP)
HTPA16x16d	R2	L1.6/0.8	F5.0	Hi	M	(UDP)
HTPA16x16d	R2	L1.6/0.8	F5.0	Hi	C	
HTPA16x16d	R2	L2.1/0.8	F5.0	Hi	A	(USB)
HTPA16x16d	R2	L2.1/0.8	F5.0	Hi	A	(UDP)
HTPA16x16d	R2	L2.1/0.8	F5.0	Hi	M	(UDP)
HTPA16x16d	R2	L2.1/0.8	F5.0	Hi	C	
HTPA16x16d	R2	L5.0/1.0	F7.7	Hi	A	(USB)
HTPA16x16d	R2	L5.0/1.0	F7.7	Hi	A	(UDP)
HTPA16x16d	R2	L5.0/1.0	F7.7	Hi	M	(UDP)
HTPA16x16d	R2	L5.0/1.0	F7.7	Hi	C	

Bold: Selectable options

Regular: Fixed/Not selectable

15 Outer Dimension

